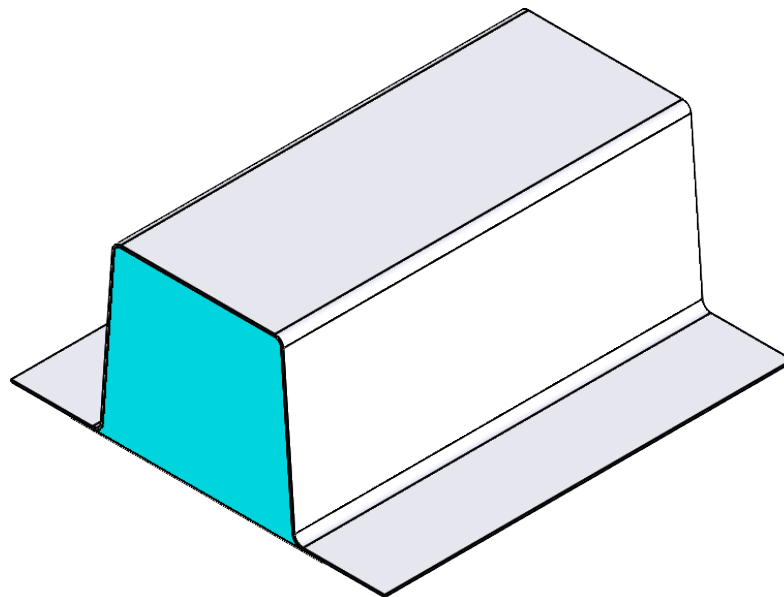
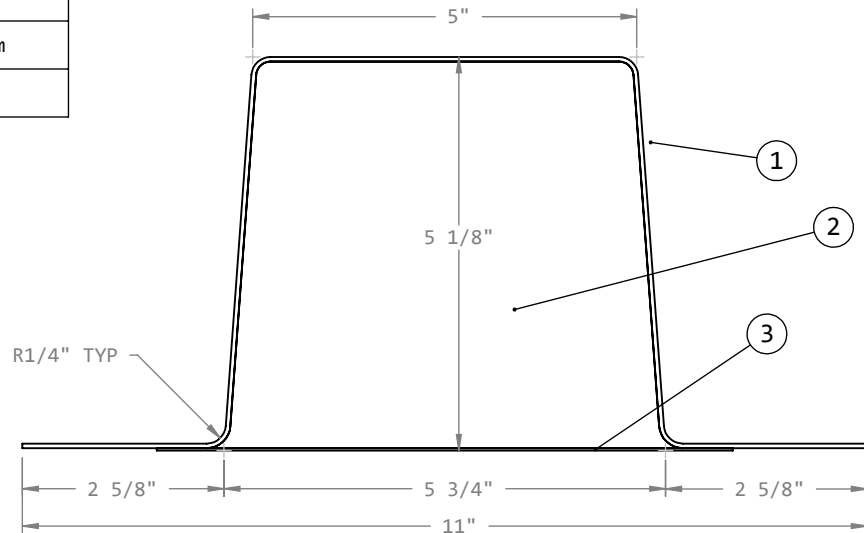


TR5050

ITEM NO.	MATERIAL
1	24oz 090 fiberglass
2	2 lb/cu ³ urethane foam
3	150g trevira



CONTACT US

For questions
Michael Canfield
Ph. 321.917.2299
E. mcanfield@preforms.com

For orders
Tanya McCauly
Ph. 321.255.0399 ext.100
E. customerservice@preforms.com

NOTES

1. Tolerances: $\pm 1/4"$